

# BOSTONIAN™ SS

## SPACE SAVER GAS FIREPLACE



*Shown with the Wilmington™ black painted face and the Straight Brick side of the Reversible Fireback*

## AMERICA'S FAVORITE FIRE

Join an American tradition by heating your home with the Lopi Bostonian Space Saver gas fireplace. Compare for yourself - at Lopi we only build the highest quality fireplaces. We start with a heavy-gauge steel firebox for quality inside and out. Notice the detail and beauty in the logset, warm glowing fire and the decorative faces available for the Bostonian fireplace. The Bostonian features the direct vent chimney system which is designed to pull combustion air from outside as well as expel its exhaust through a single pipe (the Bostonian can be top or rear vented). This sealed system preserves your home's indoor air quality by preventing combustion by-products from entering your home. Another significant feature of the Bostonian is its depth of only 16 1/4". With its narrow profile and wide fire viewing area the Bostonian gives you the ability to add heat, fire and beauty to almost any room in your home. And with minimum clearances to combustibles you have the option to stone, tile or sheet rock all the way up to the face reducing installation time and costs.



# BOSTONIAN™ SS

## SPACE SAVER GAS FIREPLACE



*Shown with the Wilmington pewter plated face and the Herringbone side of the Reversible Fireback*

The Bostonian is ideal for heating specific rooms within your home - up to 950 square feet. Heat is distributed through 564 sq. in. of high-clarity tempered glass and by the convective heat chamber that surrounds the firebox. By selectively heating areas within your home you can significantly reduce your heating bills, while still adding the enjoyment of fire. An optional 180 CFM convection fan is available to enhance the Bostonian's natural convective heat transfer system. The Bostonian features the Comfort Control™ gas valve which allows a heat turn down rate from 20,500 Btu's per hour on high to a low of 5,100 Btu's with natural gas (4,700 on propane). This phenomenal turn down rate means you can reduce the heat when it is not required while still enjoying the extremely realistic golden flame and glowing embers of the fireplace - all year round! An optional wall thermostat or remote control can also be added for hands-free operation.

Customize your Bostonian to burn with style. You can choose from the basic grill set or upgrade to one of the beautiful Wilmington face designs in either black paint or pewter plated finishes. You also have the option of adding the decorative pewter arabesque grill set to both the black and pewter plated Wilmington faces. A reversible fireback is also offered in Straight/Herringbone Brick giving the fireplace a very traditional, yet finished look. Add the accent light as an upgrade option illuminating the detailed interior of the fireplace. The accent light is designed to be used while the fireplace is burning or when it is off for year round firebox enhancement.

For the best in design, safety, ease-of-operation and comfort, demand a Lopi fireplace and find out why we're America's Favorite Fire!



## FEATURES

- Heater rated
- Thin profile - only 16 1/4" deep.
- 564 square inches of fire viewing glass.
- Removable safety screen in front of glass.
- Two level pan burner for realistic flame pattern.
- Adjustable Home Comfort™ gas and flame control valve.
- Standard Wall switch included.
- Top or rear vent option on same unit.
- Sheet rock or finish with tile up to the firebox safely.
- Direct vent chimney system preserves indoor air quality.
- Air and exhaust restrictor allow fine tuning of flame.
- Easy to adjust air shutter
- Shut-off valve included in fireplace.
- Durable 16 gauge steel construction.
- LP conversion kit included at no additional cost.

## SPECIFICATIONS

- Heating Capacity: 950 square feet with fan
- Btu Input Max: 20,500 (NG & LP)
- Btu Input Min: 5,100 (NG), 4,200 (LP)
- Glass Size: 31 3/8" wide by 18 1/8" high
- Steady State Efficiency: 76.5% (NG), 74.2% (LP)

NOTE: Fireplace performance can be affected by negative pressure in the home and by prevailing atmospheric conditions.

## OPTIONAL ENHANCEMENTS

- Multiple finish face options.
- Reversible brick fireback (Straight Brick to Herringbone Brick).
- Multi-function remote control.
- 180 CFM convection fan for increased heat transfer.
- Wall Thermostat for complete hands-free operation.
- Accent light highlights the firebox interior even if the fire is off.



Basic Grill Set

Wilmington™  
Black Painted

Wilmington™  
Black Painted with  
Pewter Arabesque Grill Set

Wilmington™  
Pewter Plated

Wilmington™  
Pewter Plated with  
Pewter Arabesque Grill Set



Reversible Fireback showing the  
Straight Brick side and optional Accent Light



Reversible Fireback showing the  
Herringbone Brick side



Remote Control



Wall Thermostat



180 CFM Fan



# BOSTONIAN™ SS SPACE SAVER GAS FIREPLACE

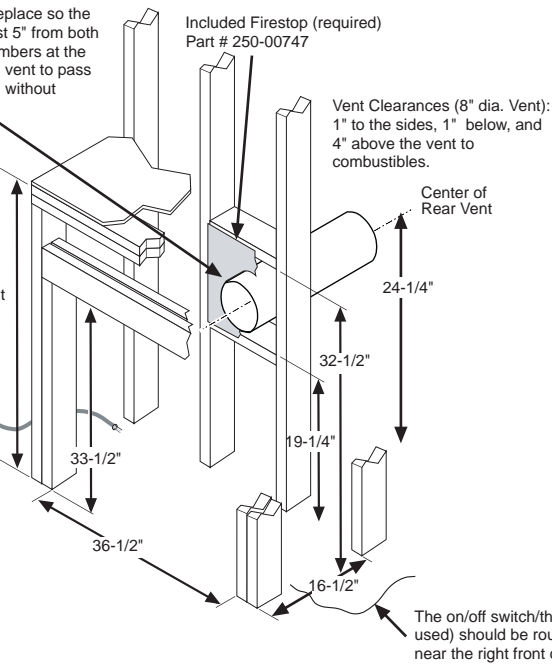
Tested and listed by OMNI-Test Laboratories, Inc. - Report # 028-F-59-5 ANSI Z21.88b-2003

## FRAMING - TOP & REAR VENT

**HINT** : place the fireplace so the center line is at least 5" from both vertical framing members at the rear (this allows the vent to pass through the framing without modifications)

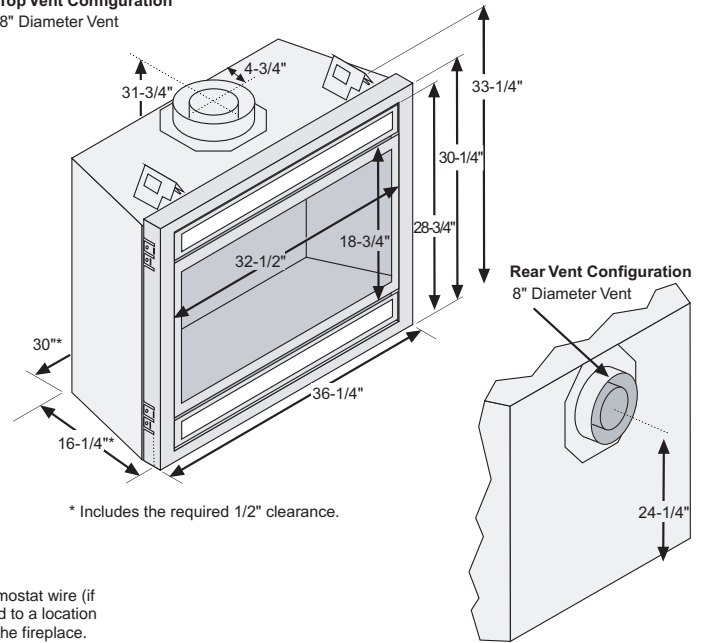
Minimum Fireplace Enclosure Height:  
38" for Rear Vent  
36-1/4" for Top Vent

Route the electrical line to a position to the left rear of the fireplace.

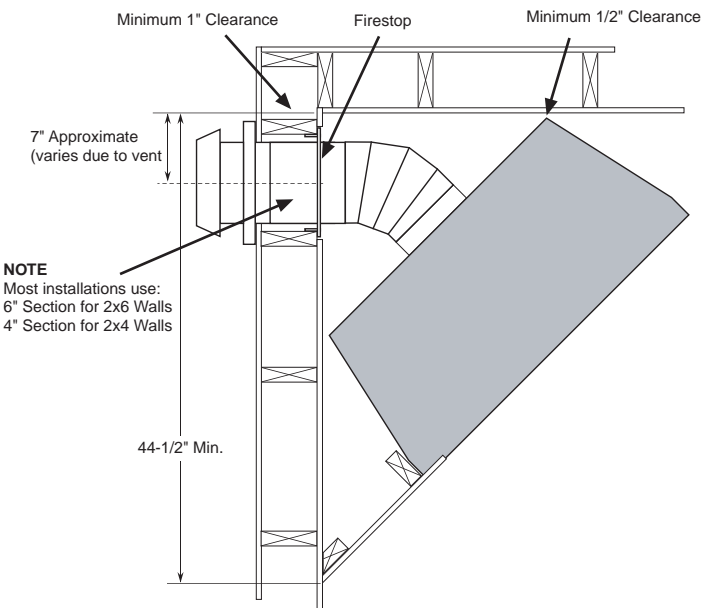


## DIMENSIONS

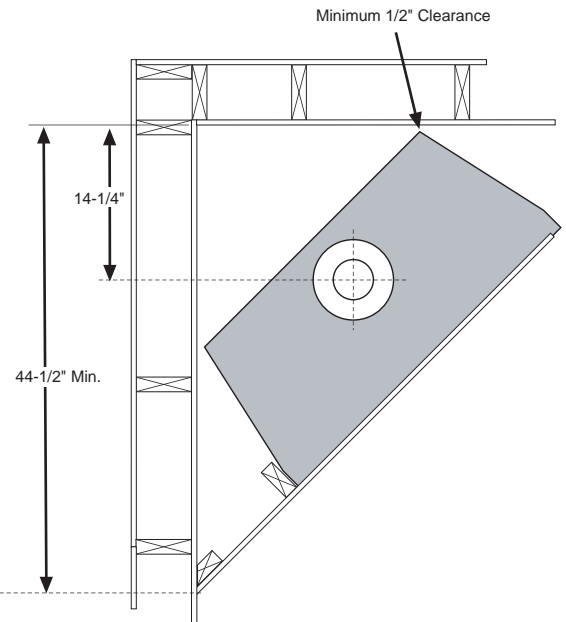
**Top Vent Configuration**  
8" Diameter Vent



## CORNER INSTALLATION REAR VENT



## CORNER INSTALLATION TOP VENT



Improper installation of your gas appliance or failure to operate it in accordance to the guidelines detailed in the Owner's Manual may negate your warranty and endanger your home and family. Installation information is available on our website at: [www.lopifire.com](http://www.lopifire.com). We recommend all Lopi appliances be installed and maintained on an annual basis by your local authorized Lopi dealer.

Your Lopi Authorized Dealer is Located At:



Visit our Website at: [www.lopifire.com](http://www.lopifire.com)

© Copyright T. I. 2007 Printed in U.S.A.

Photos and illustrations are for descriptive purposes only.

We reserve the right to improve or change our products without prior notification. Consult the Owner's Manual for complete installation requirements.

#98800148